

## 2 Micron Mode-Locked Fiber Laser

### AP-ML1

This world's first high power 2 $\mu$ m mode-locked fiber laser offers picosecond pulse width and high beam intensity, providing a new tool to research and industry applications.

With their compact size, high efficiency, low maintenance, and ease of operation, AdValue Photonics' 2 $\mu$ m fiber lasers provide many advantages over traditional bulk Holmium and Thulium solid state lasers.

#### Applications:

- Mid-IR generation
- Nonlinear optics studies
- Spectroscopy
- Research & development



#### Features:

- Short pulse width
- Broad spectral bandwidth
- High peak power
- Near diffraction limited beam quality
- Turn-key system with no maintenance required



#### Optical Characteristics:

Parameter	Specification	
	1.95 $\mu$ m Option	2.07 $\mu$ m Option
Operating wavelength	1.95 $\pm$ 0.05 $\mu$ m	2.07 $\pm$ 0.02 $\mu$ m
Average power (nominal)	1 W	300 mW
Pulse width	<3 picoseconds	<2 picoseconds
Pulse repetition rate	20-40 MHz (non-adjustable factory set)	20-40 MHz (non-adjustable factory set)
Max. peak power	>10 kW	>5 kW
Beam quality, M <sup>2</sup>	< 1.3	
Output polarization	Random (option: linearly polarized)	
Output delivery	Optical fiber armored cable terminated with collimator, cable length 0.5 m.	

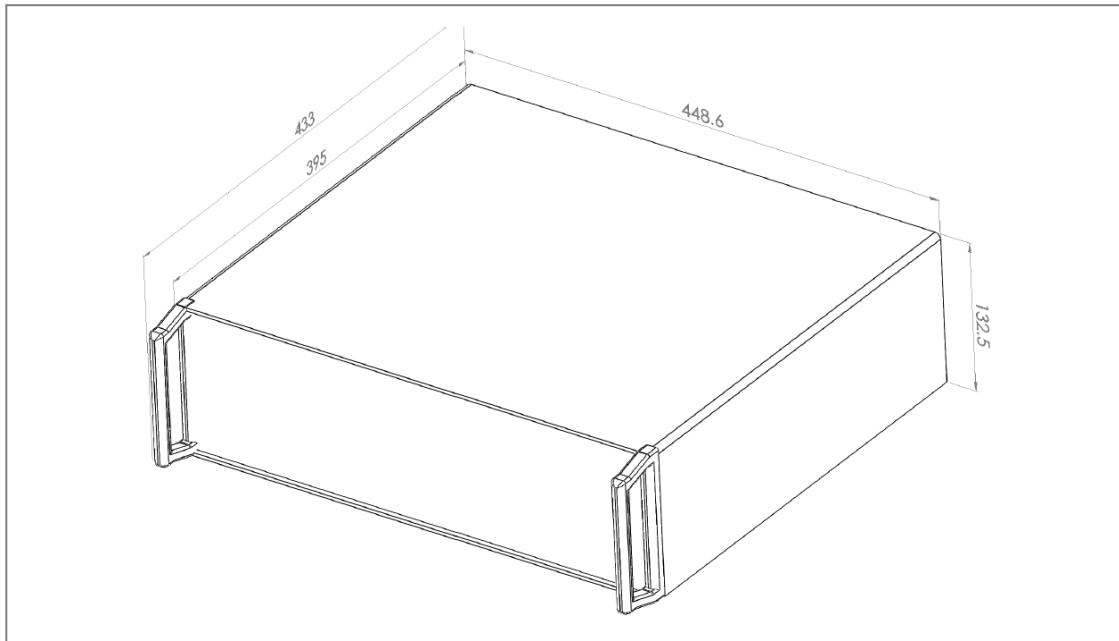
(Customization options available.)

*Specifications subject to change without notice*

## General Characteristics:

Parameter	Specification
Operating temperature	+18 to +30 °C
Storage temperature	-10 to +70 °C
Cooling	Forced air
Power requirement	AC 100~240 V (50/60Hz)
Warm-up time	10 minutes
Package dimensions	448.6(W) x 433(D) x 132.5(H) mm

## Mechanical Outline:



## Ordering Information:

Part Number:	AP-ML1	-	xxxx	-	xx or mxxx	-	RP or LP
			Operating Wavelength: 1950 = 1.95±0.05 μm 2070 = 2.07±0.02 μm		Output Power: 01 = 1 W m300 = 300 mW		Polarization: RP = random polarization LP = linear polarization

For custom requests, please contact AdValue Photonics at 1-520-790-5468 or [sales@advaluephotonics.com](mailto:sales@advaluephotonics.com).



### 脉动科技有限公司

中国代理商

北京总部 地址: 海淀区中关村东路89号 恒兴大厦9C, 100190 电话: 010-62565117 010-84413925 传真: 010-62565117-11 邮箱: info@pulsepower.cn 官网: www.pulsepower.cn

上海办事处 021-32070812 西安办事处 029-87307077 深圳办事处 0755-27528760

AdValue Photonics Inc.  
3440 E. Britannia Drive  
Suite 190  
Tucson, AZ 85706 USA

Specifications subject to change without notice